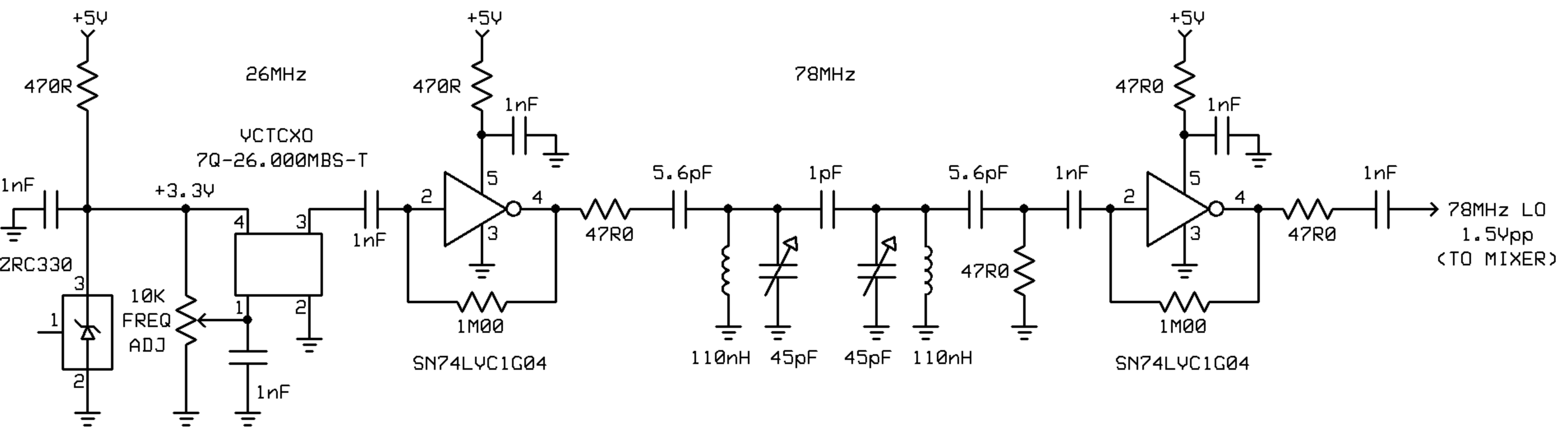


+12V
@40mA RECEIVE
@300mA TRANSMIT QUIESCENT
@1A TRANSMIT RATED OUTPUT

* HEATSINK TO CHASSIS
** HEATSINK TO GROUNDPLANE

NOTES
ALL RESISTORS 0603 UNLESS NOTED
ALL CAPACITORS 0603 UNLESS NOTED
NEIGHBORING COILS WOUND OPPOSITE SENSE
5pF VAR: MURATA T2032050F169B00
10pF VAR: MURATA T2032100F169B00
20pF VAR: MURATA T203R200F169B00
45pF VAR: MURATA T203P450F169B00
27nH: 3T #20 5/32"ID .2"L
39nH: 3T #20 3/16"ID .2"L
56nH: 4T #20 3/16"ID .2"L
110nH: 6T #24 11/64"ID .2"L
2.7uH: 4T #24 Fair-Rite 5943000101
RFC: 0603 FERRITE CHIP BLM18AG102SN1D



<h2>222 to 144 5W Transverter</h2>		
C. Abercrombie N4NGZ	Prototype	5/18/2014